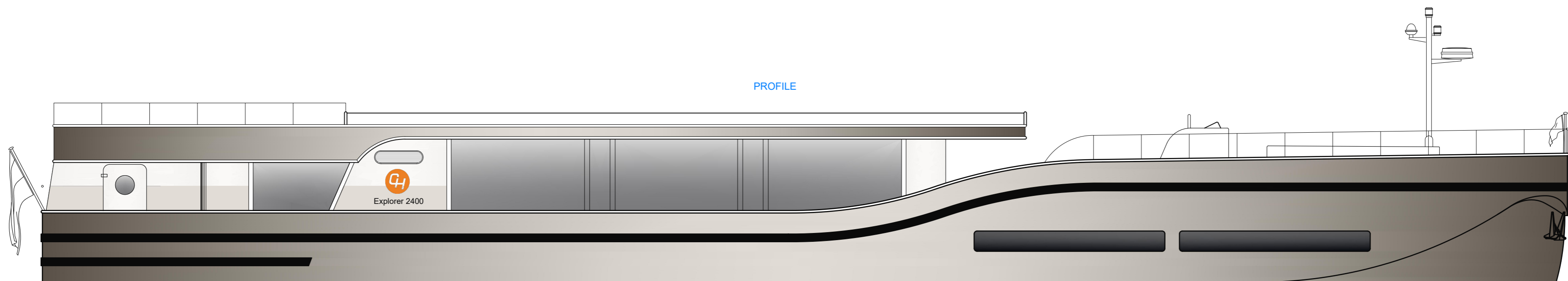


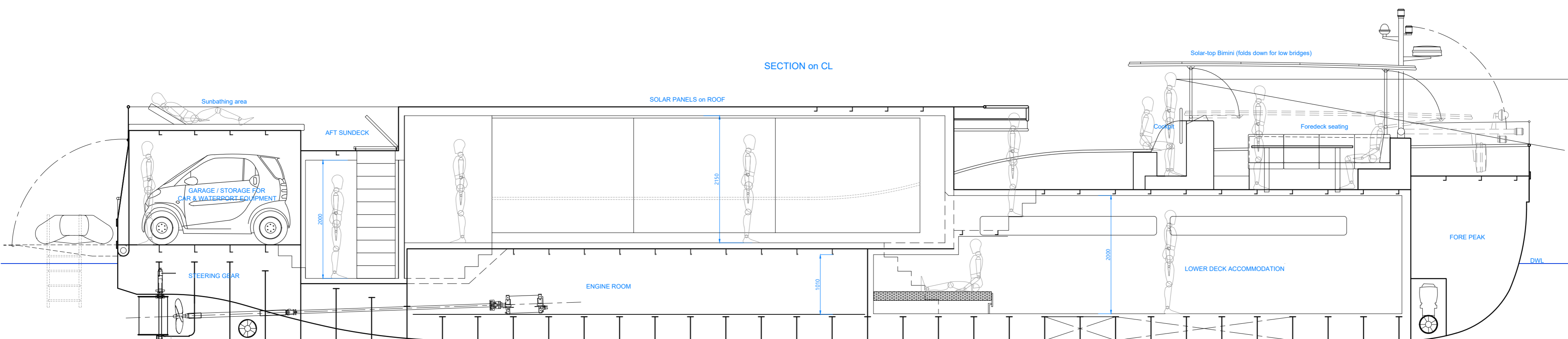


CRUISING HOME EXPLORER 2400

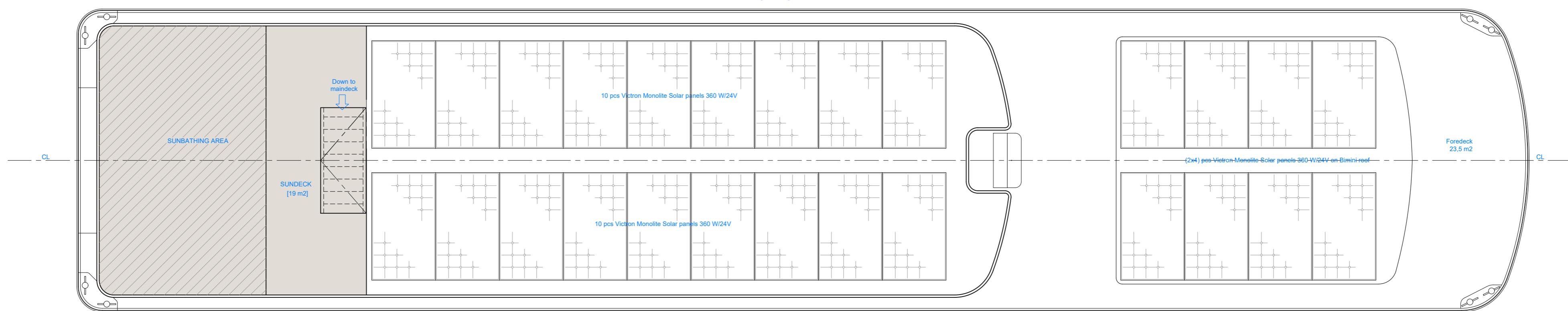
PROFILE



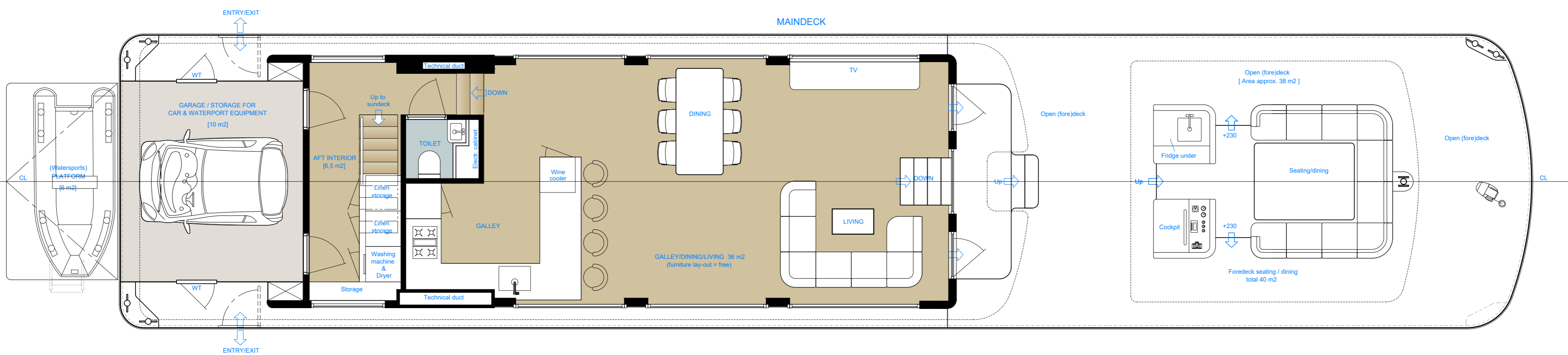
SECTION on CL



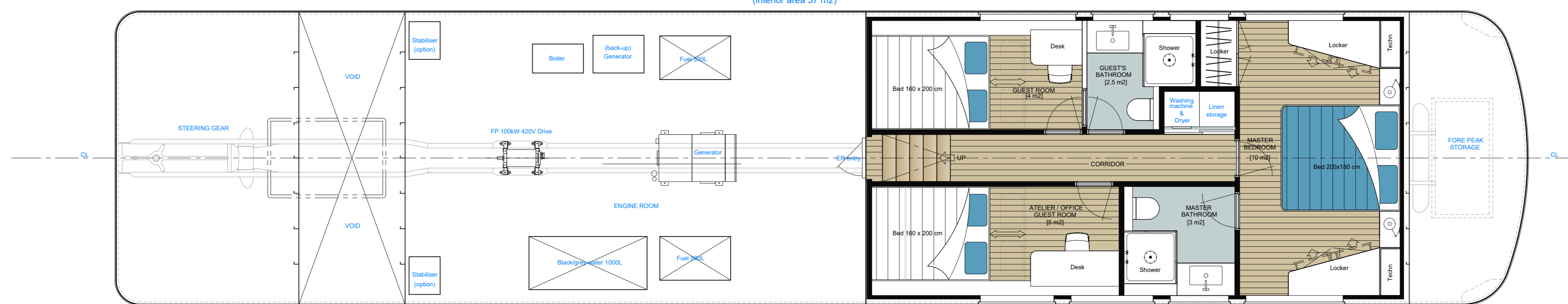
TOPDECK



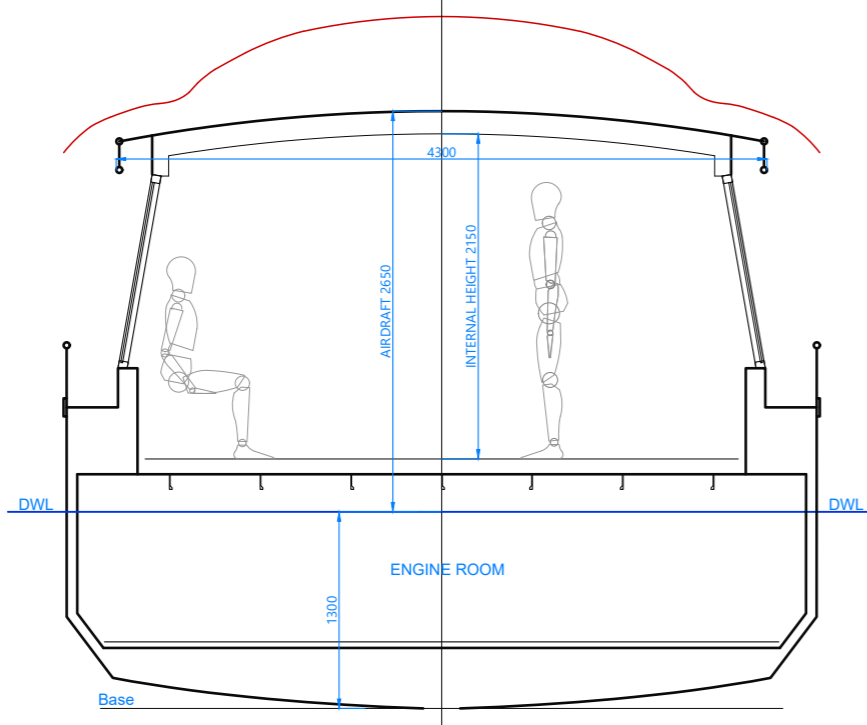
MAINDECK



LOWERDECK
(interior area 37 m²)



CAPESTANG BRIDGE



MAIN DIMENSIONS

LENGTH OVER ALL	: 23.95 M.
BEAM OVER ALL	: 5.00 M.
DRAFT	: 1.30 M.
AIRDRAFT (mast down)	: 2.65 M.
LIVING AREA (interior)	: ca 90 M ²
LIVING AREA (exterior)	: ca 70 M ²
CE CATEGORY	: B



Olivier van Meer

DESIGNERS | NAVAL ARCHITECTS | ENGINEERS